

- NOTES:**
- ASPECTS OF PLAN ARE APPROXIMATE AND DERIVED FROM AERIAL PHOTOGRAPHY.
 - THE HORIZONTAL COORDINATE SYSTEM IS BASED ON NAD83 VERMONT STATE PLANE 4400 (US SURVEY FEET). ELEVATIONS ARE BASED ON THE NAVD88 (US SURVEY FEET).
 - EXISTING GROUND CONTOUR ELEVATIONS ARE BASED ON LIDAR DATA PROVIDED BY THE VERMONT CENTER FOR GEOGRAPHIC INFORMATION.
 - UTILITIES ARE NOT WARRANTED TO BE COMPLETE OR ACCURATE. CONTRACTOR SHALL CONTACT DIG SAFE BEFORE BEGINNING ANY EXCAVATION.
 - THIS IS IN NO WAY A BOUNDARY SURVEY. PROPERTY LINES FOR PROPERTY ARE FROM TAX MAP INFORMATION PROVIDED BY THE TOWN.
 - PRIMARY AGRICULTURAL SOILS (PAS) ON THE PROJECT SITE SHALL BE PRESERVED IN A MANNER THAT ALLOWS FOR COMPLETE RESTORATION DURING PROJECT DECOMMISSIONING. CONTRACTOR STORE EXCAVATED PAS SOIL IN ACCORDANCE WITH AFAF GUIDELINES. ACT 250 PROCEDURE: RECLAMATION OF VERMONT AGRICULTURAL SOILS.
 - THIS IS A PRELIMINARY DESIGN PLAN. FINAL DESIGN WILL BE MODIFIED TO MATCH EQUIPMENT PURCHASED AND POSSIBLE PERMIT CONSTRAINTS REVEALED DURING PROJECT'S REVIEW.

LEGEND

	EXISTING/PROPOSED POWER POLE
	APPROXIMATE PROPERTY LINES
	PROJECT PARCEL PROPERTY LINE
	EXISTING OVERHEAD POWER
	EXISTING GRADE CONTOUR LINES (10 FOOT INTERVALS)
	EXISTING GRADE CONTOUR LINES (2 FOOT INTERVALS)
	SOLAR SETBACKS
	EXISTING TREELINE
	WETLAND
	CENTERLINE STREAM
	STREAM TOP OF BANK/TOP OF SLOPE
	ENVIRONMENTAL BUFFER
	NRCS SOIL DELINEATION
	PROPOSED PERIMETER FENCING
	PROPOSED OVERHEAD POWER
	PROPOSED UNDERGROUND POWER
	PROPOSED FIXED SOLAR PANEL RACKING
	PROPOSED GRAVEL ACCESS ROAD
	PROPOSED LANDSCAPE MITIGATION AREA

NORTHLAND SOLAR PROJECT

VT Route 100
Lowell, Vermont

Northland Solar LLC

MHG Solar
PO Box 1204
Manchester Center, VT 05255
www.mhgsolar.com

KREBS & LANSING CONSULTING ENGINEERS

164 Main Street, Suite 201 P: (802) 878-0375
Colchester, Vermont 05446 www.krebsandlansing.com

**ISSUED FOR PERMIT REVIEW
NOT FOR CONSTRUCTION**

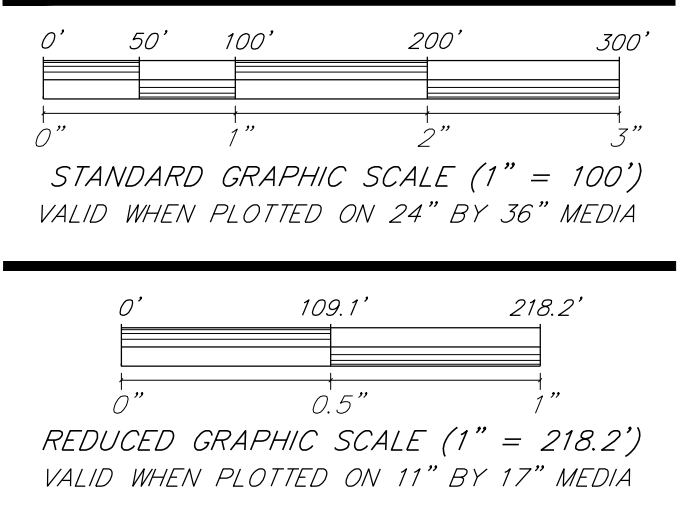
SOURCE DATA LEGEND

MAPPING SOURCE DATA USED FOR PLAN COMPILATION

Civil Engineering:
Krebs and Lansing Consulting Engineers, Inc.
164 Main Street, Suite 201
Colchester, Vermont 05446

Environmental:
Arrowwood Environmental
950 Bart White Road
Huntington, Vermont 05462

Landscape Architect:
T.J. Boyle Associates, LLC
301 College Street
Burlington, Vermont 05401



Proposed Solar Array

REV. NO.	REVISIONS/COMMENTS	DATE

Drawing Title:

45-DAY PLAN

DATE of Issue: 07/17/25
Drawn by: CPG Checked by: SDG
Project No.: 25222 Scale: 1" = 100'
Drawing No.: C-100 Rev No.:

C-100