

GENERAL CONSTRUCTION NOTES:

1. ALL WORK SHALL CONFORM TO ALL CURRENT APPLICABLE FEDERAL, STATE AND LOCAL CODES, INCLUDING ASHRAE 90.1-2010, AND COMPLY WITH ATC MASTER SPECIFICATIONS.
2. CONTRACTOR SHALL CONTACT LOCAL B11 FOR IDENTIFICATION OF UNDERGROUND UTILITIES PRIOR TO START OF CONSTRUCTION.
3. CONTRACTORS SHALL BE RESPONSIBLE FOR COORDINATING ALL REQUIRED INSPECTIONS. ALL DIMENSIONS TO, OF, AND ON EXISTING BUILDINGS, DRINKING STRUCTURES, AND SITE IMPROVEMENTS SHALL BE VERIFIED IN FIELD BY CONTRACTOR WITH ALL DISCREPANCIES REPORTED TO THE ENGINEER.
4. DO NOT CHANGE SIZE OR SPACING OF STRUCTURAL ELEMENTS.
5. DETAILS SHOWN ARE TYPICAL. SIMILAR DETAILS APPLY TO SIMILAR CONDITIONS UNLESS OTHERWISE NOTED.
6. THESE DRAWINGS DO NOT INCLUDE NECESSARY COMPONENTS FOR CONSTRUCTION SAFETY WHICH SHALL BE THE SOLE RESPONSIBILITY OF THE CONTRACTOR.
7. CONTRACTOR SHALL BRACE STRUCTURES WITH ALL STRUCTURAL ELEMENTS NEEDED FOR STABILITY ARE INSTALLED. THESE ELEMENTS ARE AS FOLLOWS: LATERAL BRACING, ANCHOR BOLTS, ETC.
8. CONTRACTOR SHALL DETERMINE EXACT LOCATION OF EXISTING UTILITIES, GROUNDS DRAINS, DRAIN PIPES, VENTS, ETC. BEFORE COMMENCING WORK.
9. INCORRECTLY FABRICATED, DAMAGED, OR OTHERWISE UNSUITING OR NONCONFORMING REMEDIAL BY THE THOUBLE WIRELESS REP PRIOR TO PROCEEDING.
10. EACH CONTRACTOR SHALL COOPERATE WITH THE T-MOBILE WIRELESS REP AND COORDINATE HIS WORK WITH THE WORK OF OTHERS.
11. CONTRACTOR SHALL REPAIR ANY DAMAGE CAUSED BY CONSTRUCTION OF THIS PROJECT TO MATCH EXISTING PRE-CONSTRUCTION CONDITIONS TO THE SATISFACTION OF THE T-MOBILE WIRELESS CONSTRUCTION MANAGER.
12. ALL CABLE/CONDUIT ENTRY/EXIT PORTS SHALL BE WEATHERPROOFED DURING INSTALLATION USING A SILICONE SEALANT.
13. WHERE EXISTING CONDITIONS DO NOT MATCH THOSE SHOWN IN THIS PLAN SET, CONTRACTOR SHALL NOTIFY THE T-MOBILE WIRELESS REP IMMEDIATELY.
14. CONTRACTOR SHALL ENSURE ALL SUBCONTRACTORS ARE PROVIDED WITH A COMPLETE AND CURRENT SET OF DRAWINGS AND SPECIFICATIONS FOR THIS PROJECT.
15. CONTRACTOR SHALL REMOVE ALL RUBBISH AND DEBRIS FROM THE SITE AT THE END OF EACH DAY.
16. CONTRACTOR SHALL COORDINATE WORK SCHEDULE WITH LANDLORD AND TAKE PRECAUTIONS TO MINIMIZE IMPACT AND DISRUPTION OF OTHER OCCUPANTS OF THE FACILITY.
17. CONTRACTOR SHALL FINISH T-MOBILE WIRELESS WITH A POP MARKED UP AS BUILT SET OF DRAWINGS UPON COMPLETION OF WORK.
18. PRIOR TO SUBMISSION OF BID, CONTRACTOR SHALL COORDINATE WITH T-MOBILE WIRELESS REP TO DETERMINE WHAT, IF ANY, ITEMS WILL BE PROVIDED AND WHAT ITEMS SHALL BE PROVIDED AND INSTALLED BY THE CONTRACTOR. CONTRACTOR WILL INSTALL ALL ITEMS PROVIDED.
19. PRIOR TO SUBMISSION OF BID, CONTRACTOR SHALL COORDINATE WITH T-MOBILE WIRELESS PERMITS NOT OBTAINED BY T-MOBILE WIRELESS MUST BE OBTAINED, AND PAID FOR, BY THE CONTRACTOR.
20. CONTRACTOR SHALL INSTALL ALL SITE SIGNAGE IN ACCORDANCE WITH T-MOBILE WIRELESS SPECIFICATIONS AND REQUIREMENTS.
21. APPROVAL PRIOR TO FABRICATION.
22. ALL EQUIPMENT SHALL BE INSTALLED ACCORDING TO MANUFACTURER'S SPECIFICATIONS AND PLANS.
23. CONTRACTOR SHALL SUPERVISE AND DIRECT THE PROJECT DESIGNER/ENGINEER, THE CONTRACTOR SHALL BE SOLELY RESPONSIBLE FOR ALL THE CONSTRUCTION MANAGEMENT WORK UNDER THE CONTRACT.
24. CONTRACTOR SHALL NOTIFY T-MOBILE WIRELESS REP A MINIMUM OF 48 HOURS IN ADVANCE OF APPROVAL. CONTRACTOR SHALL NOTIFY T-MOBILE WIRELESS REP A MINIMUM OF 48 HOURS IN ADVANCE OF APPROVAL.

CONCRETE AND REINFORCING STEEL NOTES:

1. DESIGN AND CONSTRUCTION OF ALL CONCRETE ELEMENTS SHALL CONFORM TO THE LATEST EDITION OF ALL APPLICABLE ACI 308, ACI 309, ACI 308.1, ACI 308.2R, ACI 308.3R, ACI 308.4R, ACI 308.5R, ACI 308.6R, ACI 308.7R, ACI 308.8R, ACI 308.9R, ACI 308.10R, ACI 308.11R, ACI 308.12R, ACI 308.13R, ACI 308.14R, ACI 308.15R, ACI 308.16R, ACI 308.17R, ACI 308.18R, ACI 308.19R, ACI 308.20R, ACI 308.21R, ACI 308.22R, ACI 308.23R, ACI 308.24R, ACI 308.25R, ACI 308.26R, ACI 308.27R, ACI 308.28R, ACI 308.29R, ACI 308.30R, ACI 308.31R, ACI 308.32R, ACI 308.33R, ACI 308.34R, ACI 308.35R, ACI 308.36R, ACI 308.37R, ACI 308.38R, ACI 308.39R, ACI 308.40R, ACI 308.41R, ACI 308.42R, ACI 308.43R, ACI 308.44R, ACI 308.45R, ACI 308.46R, ACI 308.47R, ACI 308.48R, ACI 308.49R, ACI 308.50R, ACI 308.51R, ACI 308.52R, ACI 308.53R, ACI 308.54R, ACI 308.55R, ACI 308.56R, ACI 308.57R, ACI 308.58R, ACI 308.59R, ACI 308.60R, ACI 308.61R, ACI 308.62R, ACI 308.63R, ACI 308.64R, ACI 308.65R, ACI 308.66R, ACI 308.67R, ACI 308.68R, ACI 308.69R, ACI 308.70R, ACI 308.71R, ACI 308.72R, ACI 308.73R, ACI 308.74R, ACI 308.75R, ACI 308.76R, ACI 308.77R, ACI 308.78R, ACI 308.79R, ACI 308.80R, ACI 308.81R, ACI 308.82R, ACI 308.83R, ACI 308.84R, ACI 308.85R, ACI 308.86R, ACI 308.87R, ACI 308.88R, ACI 308.89R, ACI 308.90R, ACI 308.91R, ACI 308.92R, ACI 308.93R, ACI 308.94R, ACI 308.95R, ACI 308.96R, ACI 308.97R, ACI 308.98R, ACI 308.99R, ACI 308.100R.
2. MINIMUM DESIGN STRENGTH SHALL BE 4000 PSI UNLESS OTHERWISE NOTED.
3. CONCRETE SHALL BE NORMAL WEIGHT, 4" AIR STRAINED (V-4), 1.5% WITH A SLUMP RANGE OF 3-4" AND HAVE A MINIMUM 28-DAY COMPRESSIVE STRENGTH OF 4000 PSI UNLESS OTHERWISE NOTED.
4. THE FOLLOWING MATERIALS SHALL BE USED:
 - PORTLAND CEMENT: ASTM C150, TYPE 2
 - REINFORCING BARS: ASTM A615, PLAIN STEEL, WELDED WIRE FABRIC
 - REINFORCING BARS: ASTM A615, GRADE 60, DEFORMED
 - NORMAL WEIGHT AGGREGATE: ASTM C696, GRADE 57
 - WATER: ASTM C1601, POTABLE
 - ADMITTIVES:
 - WATER-REDUCING AGENT: ASTM C 494C, 99M, TYPE A
 - AIR-ENTRAINING AGENT: ASTM C 260C, 200M
 - SUPERPLASTICIZER: ASTM C 494C, 99M, TYPE B
 - RETARDING: ASTM C 494C, 99M, TYPE B
5. MINIMUM COVER FOR REINFORCING STEEL SHALL BE NO LESS THAN 3".
6. A 3/4" CHAIRS SHALL BE PROVIDED AT ALL EXPOSED EDGES OF CONCRETE IN ACCORDANCE WITH ACI 309 SECTION 4.2.4, UNLESS NOTED OTHERWISE.
7. INSTALLATION OF CONCRETE EXPANSION JOINTS SHALL BE PER MANUFACTURER'S WRITTEN RECOMMENDATION PROCEDURE. THE ANCHOR BOLTS, DOWEL, OR ROD SHALL BE INSTALLED IN ACCORDANCE WITH THE WRITTEN RECOMMENDATION PROCEDURE FOR EMBEDMENT DEPTH OR AS SHOWN ON THE DRAWINGS. NO REINFORCING SHALL BE INSTALLED PRIOR TO MOBILE WIRELESS REP APPROVAL WHEN DRILLING HOLES IN CONCRETE.
8. ADMIXTURES SHALL CONFORM TO THE APPROPRIATE ASTM STANDARDS AS REFERENCED IN METHOD 1 OF ACI 301.
9. DO NOT WELD OR TACK WELD REINFORCING STEEL.
10. ALL DOWELS, ANCHOR BOLTS, EMBEDDED STEEL, ELECTRICAL CONDUITS, PIPE SLIVERS, GROUNDS AND ALL OTHER EMBEDDED ITEMS AND OTHER DETAILS SHALL BE IN PLACE BEFORE START OF CONCRETE PLACEMENT.
11. REINFORCEMENT SHALL BE COOL BENT WHENEVER BENDING IS REQUIRED.
12. DO NOT PLACE CONCRETE IN WATER, ICE, OR ON FROZEN GROUND.
13. DO NOT ALLOW REINFORCEMENT, CONCRETE OR SUBGRADE TO FREEZE DURING CONCRETE CURING AND SETTING PERIOD, OR FOR A MINIMUM OF 9 DAYS AFTER PLACEMENT.
14. FOR COLD WEATHER (30°F AND NOT-WEATHERED) 31M CONCRETE PLACEMENT CONFORM TO ACI 308.42 AND ACI 308.43. ALL MATERIALS CONTAINING WEATHER FOR 7 DAYS, MINIMUM.
15. ALL CONCRETE SHALL HAVE A "SMOOTH" FORM FINISH.
16. UNLESS OTHERWISE NOTED:
 - A. ALL REINFORCING STEEL SHALL BE DEFORMED BARS CONFORMING TO ASTM A615/A
 - B. WELDED WIRE FABRIC SHALL CONFORM TO ASTM A182.
17. SPACING OF REINFORCEMENT IS PERMITTED ONLY AT LOCATIONS SHOWN IN THE CONTRACT DRAWINGS OR AS ACCEPTED BY THE ENGINEER. UNLESS OTHERWISE SPECIFIED, ALL REINFORCING STEEL SHALL BE SPACED TO DEVELOP ITS FULL TENSILE CAPACITY (CLASS A) IN ACCORDANCE WITH ACI 318.

STRUCTURAL STEEL NOTES:

1. STRUCTURAL STEEL SHALL CONFORM TO THE LATEST EDITION OF THE AISC SPECIFICATION FOR THE DESIGN, FABRICATION AND ERECTION OF STRUCTURAL STEEL FOR BUILDINGS.
2. STRUCTURAL STEEL ROLLED SHAPES, PLATES AND BARS SHALL CONFORM TO THE FOLLOWING AISC DESIGNATIONS:
 - A. ASTM A372, GRADE 50 - ALL W SHAPES, UNLESS NOTED OR AS NOTED OTHERWISE
 - B. ASTM A36 - ALL OTHER ROLLED SHAPES, PLATES AND BARS UNLESS NOTED OTHERWISE
 - C. ASTM A500, GRADE B - HSS SECTION (SQUARE, RECTANGULAR, AND ROUND)
 - D. ASTM A425, TYPE SC OR N - ALL BOLTS FOR CONNECTING STRUCTURAL MEMBERS
 - E. ASTM F1554 07 - ALL ANCHOR BOLTS, UNLESS NOTED OTHERWISE
3. ALL EXPOSED STRUCTURAL STEEL MEMBERS SHALL BE HOT-DIPPED GALVANIZED AFTER FABRICATION PER ASTM A123. EXPOSED STEEL HARDWARE AND ANCHOR BOLTS SHALL BE GALVANIZED PER ASTM A153 OR 8992.
4. ALL FIELD CUT SURFACES, FIELD DRILLED HOLES AND GROUND SURFACES WHERE EXISTING PAINT OR GALVANIZATION COULD GALVANIZING COMPOUND PER ASTM A750 AND MANUFACTURER'S RECOMMENDATIONS.
5. DO NOT PAUL HOLES THROUGH STRUCTURAL STEEL MEMBERS EXCEPT AS SHOWN AND DETAILED ON STRUCTURAL DRAWINGS.
6. CONNECTIONS:
 - A. ALL WELDING TO BE PERFORMED BY AWS CERTIFIED WELDERS AND CONDUCTED IN ACCORDANCE WITH THE LATEST EDITION OF THE AWS WELDING CODE D1.1.
 - B. ALL WELDS SHALL BE INSPECTED VISUALLY. 25% OF WELDS SHALL BE INSPECTED WITH D1.1. REPAIR ALL WELDS AS NECESSARY.
 - C. INSPECTION SHALL BE PERFORMED BY AN AWS CERTIFIED WELD INSPECTOR.
 - D. THE CONTRACTORS RESPONSIBILITY TO PROVIDE BURNING/COMPLETION PERMITS AS REQUIRED BY LOCAL GOVERNING AUTHORITY AND IF REQUIRED SHALL HAVE FIRE DEPARTMENT PERMIT FOR ANY WELDING ACTIVITY.
 - E. ALL ELECTRODES TO BE LOW HYDROGEN, MATCHING FILLER METAL, PER AWS D1.1, UNLESS NOTED OTHERWISE.
 - F. MINIMUM WELD SIZE TO BE 0.1875 INCH FILLET WELDS, UNLESS NOTED OTHERWISE.
 - G. PRIOR TO FIELD WELDING AND GALVANIZING MATERIAL, CONTRACTORS SHALL GROUND OFF GALVANIZING 3" BEYOND ALL WELDING JOINTS. WELDED AND WELD JOINT GALVANITE COULD GALVANIZING COMPOUND PER ASTM A750 AND MANUFACTURER'S RECOMMENDATIONS.



ATC TOWER SERVICES, LLC
 3800 BENTLEY BLVD
 SUITE 100
 PHOENIX, AZ 85018
 PHONE: (602) 488-0112

THESE DRAWINGS AND/OR THE ACCOMPANYING SPECIFICATIONS ARE HEREBY OFFERED TO THE PUBLIC FOR INFORMATION ONLY. THE CONTRACTOR SHALL BE RESPONSIBLE FOR OBTAINING ALL NECESSARY PERMITS AND APPROVALS PRIOR TO CONSTRUCTION. THE CONTRACTOR SHALL BE RESPONSIBLE FOR OBTAINING ALL NECESSARY PERMITS AND APPROVALS PRIOR TO CONSTRUCTION. THE CONTRACTOR SHALL BE RESPONSIBLE FOR OBTAINING ALL NECESSARY PERMITS AND APPROVALS PRIOR TO CONSTRUCTION.

REV.	DESCRIPTION	BY	DATE
1	FOR CONSTRUCTION	EB	05/18/19

ATC SITE NUMBER: 927889
 ATC SITE NAME: WEST RUTLAND VT
 SITE ADDRESS: 1100 WHEELER ROAD WEST RUTLAND, VT 05777



Authorized by: EOR
 5/18/2019 9:29 AM
 MobileRegion

Drawn by: EB
 Approved by: KGF
 Date Drawn: 05/16/19
 ATC Job No.: 12940020

GENERAL NOTES

SHEET NUMBER: G-002
 REVISION: 0

- NOTES
1. DIMENSION LINES OBTAINED FROM DIM LINE ONLINE GIS.
 2. ZONING INFORMATION OBTAINED FROM JURISDICTION ZONING ORDINANCE

LEGEND

EXISTING PROPERTY LINE _____

EXISTING PROPERTY LINE ADJACENT _____

EXISTING EASEMENT _____

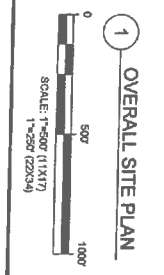
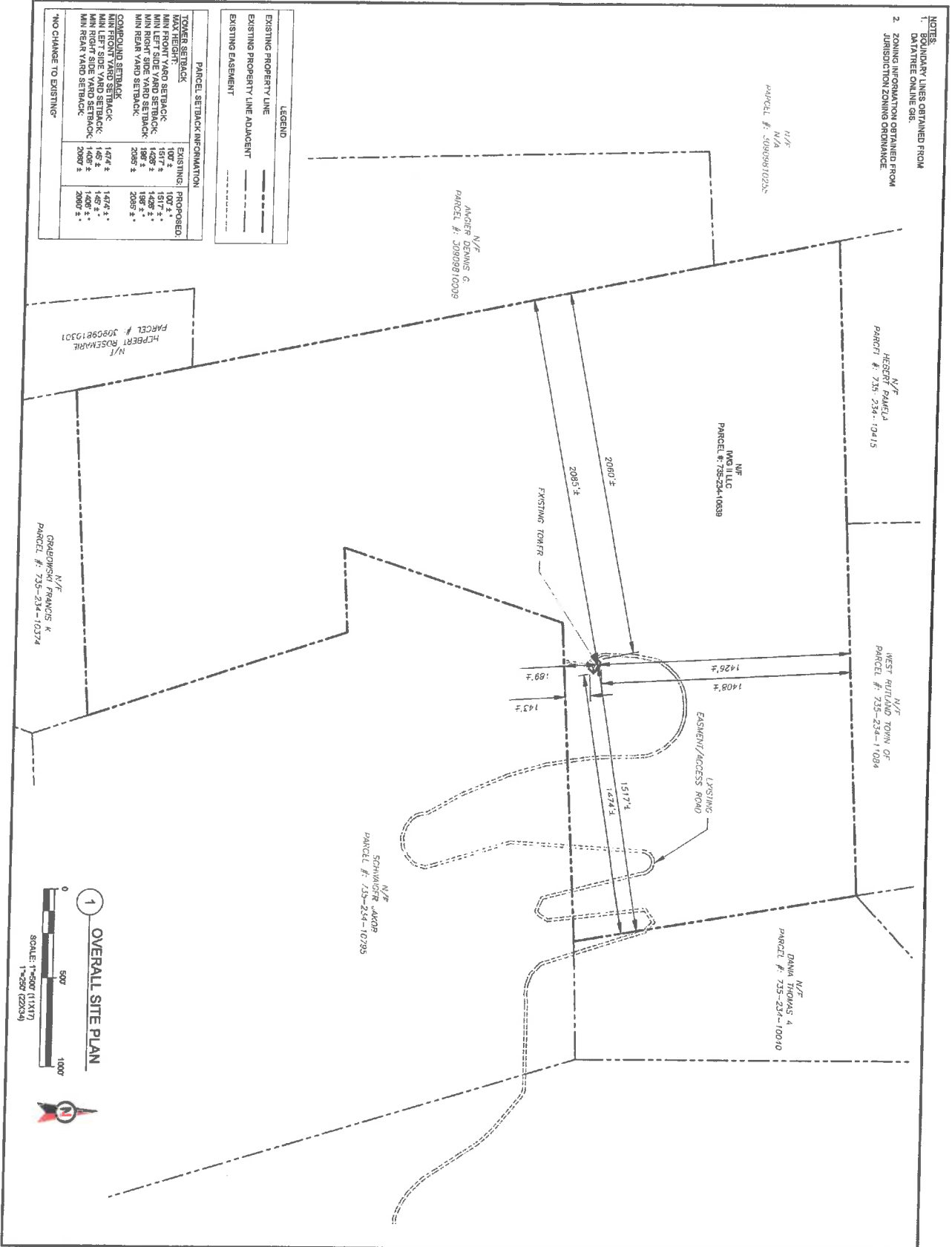
EXISTING TOWER _____

EXISTING ACCESS ROAD _____

PARCEL SETBACK INFORMATION

TOWER SETBACK	EXISTING	PROPOSED
MAX HEIGHT	100' ±	100' ±
MIN FRONT YARD SETBACK	1517' ±	1517' ±
MIN LEFT SIDE YARD SETBACK	182' ±	182' ±
MIN RIGHT SIDE YARD SETBACK	182' ±	182' ±
MIN REAR YARD SETBACK	2085' ±	2085' ±
COMPOUND SETBACK		
MIN FRONT YARD SETBACK	1474' ±	1474' ±
MIN LEFT SIDE YARD SETBACK	145' ±	145' ±
MIN RIGHT SIDE YARD SETBACK	1408' ±	1408' ±
MIN REAR YARD SETBACK	2080' ±	2080' ±

NO CHANGE TO EXISTING



AMERICAN TOWER
ATC TOWER SERVICES, LLC
 3989 ROUTE 100
 SUITE 100
 CARY, NC 27513
 PHONE: (919) 884-0112

THESE DIMENSIONS AND/OR THE ASSOCIATED INFORMATION ARE UNWARRANTED OR OTHERWISE THE INFORMATION SHALL BE OBTAINED FROM THE PUBLIC RECORDS. THE INFORMATION IS PROVIDED FOR YOUR INFORMATION ONLY AND DOES NOT CONSTITUTE A WARRANTY OF ANY KIND. THE INFORMATION IS PROVIDED AS IS AND WITHOUT ANY REPRESENTATION OR WARRANTY. THE INFORMATION IS PROVIDED FOR YOUR INFORMATION ONLY AND DOES NOT CONSTITUTE A WARRANTY OF ANY KIND. THE INFORMATION IS PROVIDED AS IS AND WITHOUT ANY REPRESENTATION OR WARRANTY.

REV.	DESCRIPTION	BY	DATE
1	FOR CONSTRUCTION	EB	06/18/19
2	OVERALL SITE PLAN	EB	09/17/19

ATC SITE NUMBER: **92889**

ATC SITE NAME: **WEST RUTLAND VT**

SITE ADDRESS:
 1109 WASHINGTON RD
 WEST RUTLAND, VT 05777

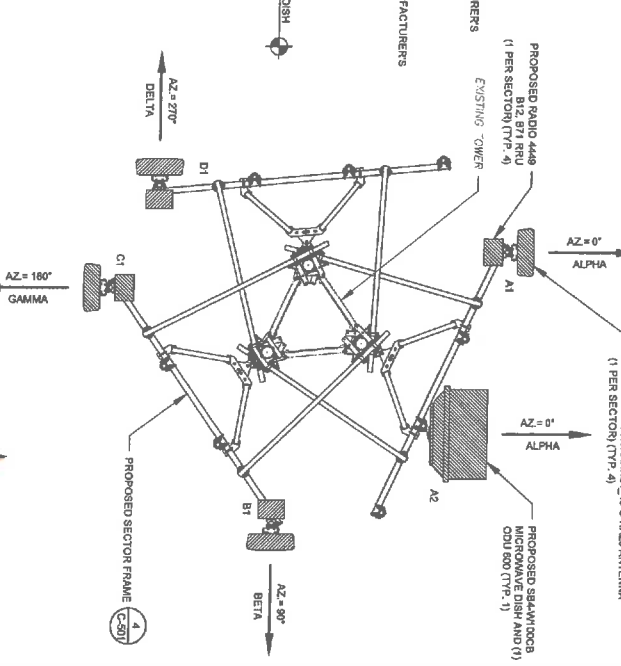
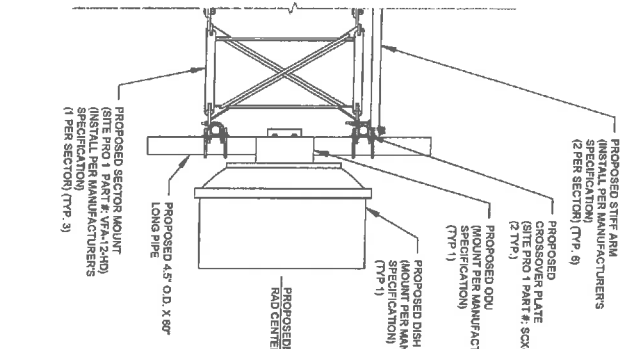
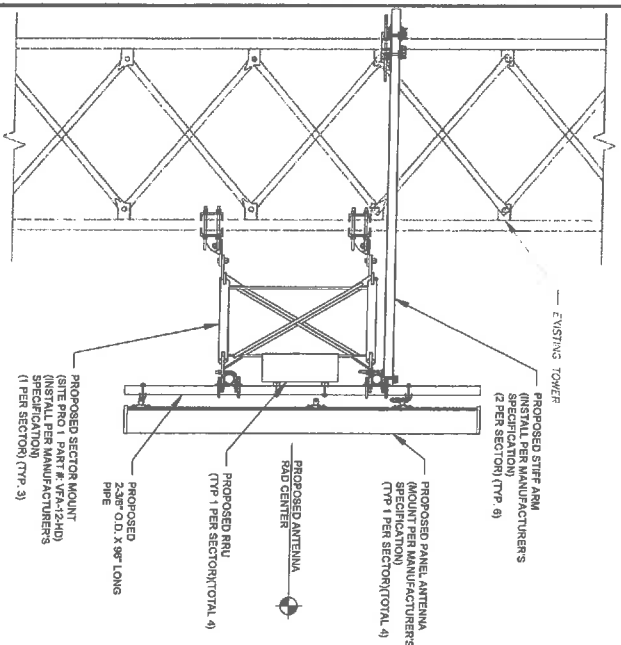
SEAL

Authorized by "EOR"
 Sep 18 2019 9:29 AM
MobilePosition

DRAWN BY:	EB
APPROVED BY:	KRF
DATE DRAWN:	05/16/19
ATC JOB NO.:	13490028

OVERALL SITE PLAN

SHEET NUMBER: **V-101** REVISION: **1**



1 PROPOSED EQUIPMENT MOUNTING DETAIL (ELEVATION)

SCALE: NOT TO SCALE

2 PROPOSED ANTENNA PLAN

SCALE: NOT TO SCALE

- NOTES
1. ALL PROPOSED EQUIPMENT INCLUDING ANTENNAS, COAX, ETC. SHALL BE MOUNTED IN ACCORDANCE WITH THE TOWER STRUCTURAL MANUAL ON FILE WITH THE ATC O&I.
 2. SPACING OF PROPOSED EQUIPMENT SHALL BE CONFIRMED FOR TOWER CONFLICTS AND PROPOSED MOUNTS SHALL NOT IMPED TOWER CLIMBING PEGS.

FINAL ANTENNA COAX SCHEDULE

SECTOR	ANT.	PANEL MODEL #	RAD CENTER	AZIMUTH (TN)	MECH. D-TILT	ELEC. D-TILT	ADDITIONAL TOWER MOUNTED EQUIPMENT	ANTENNA CABLE DESCRIPTION
ALPHA	A1	APXVARR24_43-U-M20	77'-0"	0°	0°	2°	RADIO 4448 B12, B71	(1) 1/2" COAX HYBRID (1453)
ALPHA	A2	APXVARR24_43-U-M20	77'-0"	0°	0°	2°	RADIO 4448 B12, B71	(1) 1/2" COAX HYBRID (1453)
BETA	B1	APXVARR24_43-U-M20	77'-0"	90°	0°	2°	RADIO 4448 B12, B71	(1) 1/2" COAX HYBRID (1453)
BETA	B2	APXVARR24_43-U-M20	77'-0"	90°	0°	2°	RADIO 4448 B12, B71	(1) 1/2" COAX HYBRID (1453)
GAMMA	G1	APXVARR24_43-U-M20	77'-0"	180°	0°	2°	RADIO 4448 B12, B71	(3) 1/2" COAX HYBRID (1453)
GAMMA	G2	APXVARR24_43-U-M20	77'-0"	180°	0°	2°	RADIO 4448 B12, B71	(3) 1/2" COAX HYBRID (1453)
DELTA	D1	APXVARR24_43-U-M20	77'-0"	270°	0°	2°	RADIO 4448 B12, B71	(3) 1/2" COAX HYBRID (1453)
DELTA	D2	APXVARR24_43-U-M20	77'-0"	270°	0°	2°	RADIO 4448 B12, B71	(3) 1/2" COAX HYBRID (1453)

1. BASED ON APPROVED ATC APPLICATION 12914634, DATED 05-27-2016, CONFORM WITH TOWER REP FOR APPLICABLE UPDATES/REVISIONS AND MOST RECENT RFRS.

3 ANTENNA SCHEDULE

4 ISOMETRIC MOUNT DETAIL

SCALE: NOT TO SCALE

AMERICAN TOWER®
ATC TOWER SERVICES, LLC
3500 REGENCY PARKWAY
SITE # 100
C# 12 2818
PHONE: (410) 943-1112

THESE DRAWINGS AND/OR THE ACCOMPANYING SPECIFICATIONS SHALL BE CONSIDERED TO BE THE EXCLUSIVE PROPERTY OF AMERICAN TOWER SERVICES, LLC AND SHALL BE REPRODUCED OR TRANSMITTED IN ANY FORM OR BY ANY MEANS, ELECTRONIC OR MECHANICAL, INCLUDING PHOTOCOPYING, RECORDING, OR BY ANY INFORMATION STORAGE AND RETRIEVAL SYSTEM, WITHOUT THE WRITTEN PERMISSION OF AMERICAN TOWER SERVICES, LLC. THE USER SHALL BE RESPONSIBLE FOR OBTAINING ALL NECESSARY PERMITS AND APPROVALS FROM ALL APPLICABLE AGENCIES AND AUTHORITIES. THE USER SHALL BE RESPONSIBLE FOR OBTAINING ALL NECESSARY PERMITS AND APPROVALS FROM ALL APPLICABLE AGENCIES AND AUTHORITIES. THE USER SHALL BE RESPONSIBLE FOR OBTAINING ALL NECESSARY PERMITS AND APPROVALS FROM ALL APPLICABLE AGENCIES AND AUTHORITIES.

ATC SITE NUMBER: **922889**
ATC SITE NAME: **WEST RUTLAND VT**
SITE ADDRESS: **1109 WHIPPLE HOLLOW RD WEST RUTLAND, VT 05777**

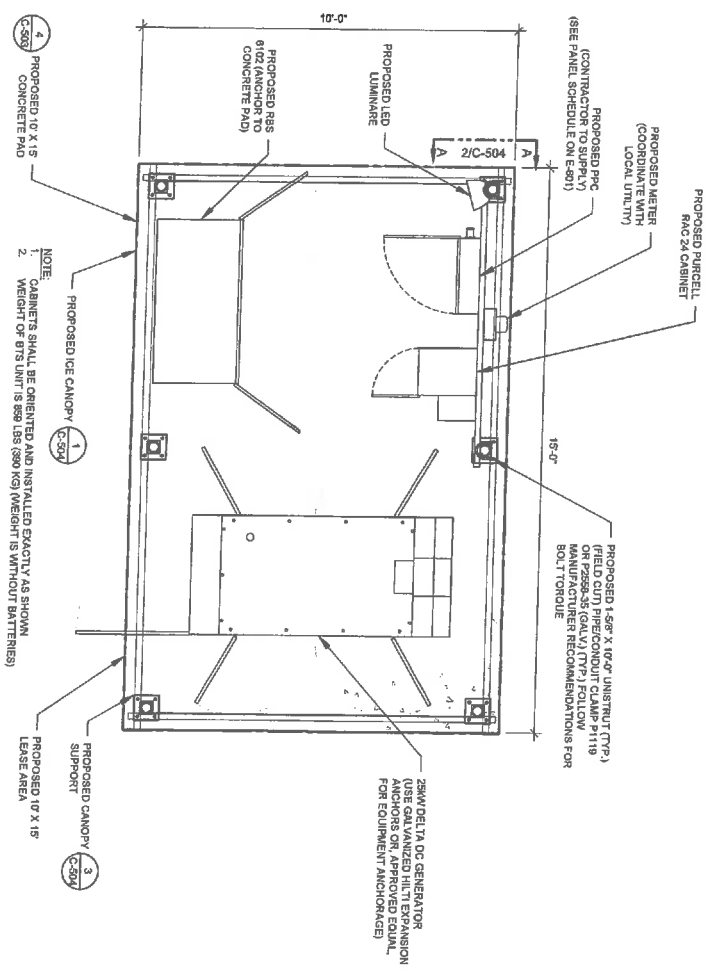
REV. DESCRIPTION BY DATE
FOR CONSTRUCTION EB 05/18/19

DRAWN BY: EB
APPROVED BY: 189F
DATE DRAWN: 05/18/19
ATC JOB NO: 12946226

ANTENNA INFORMATION & SCHEDULE

SHEET NUMBER: **C-501** REVISION: **0**

Authorized by "BOR" **Patrick P. Barry**
Sep 18 2019 9:29 AM
Mobile Position



1 DETAILED EQUIPMENT LAYOUT
SCALE: NOT TO SCALE

AMERICAN TOWER
ATC TOWER SERVICES, LLC
 3400 RESEARCH PARKWAY
 CARY, NC 27513
 PHONE: (919) 488-5112

THESE DRAWINGS ARE NOT TO BE CONSIDERED A CONTRACT. THE CONTRACTOR SHALL BE RESPONSIBLE FOR OBTAINING ALL NECESSARY PERMITS AND APPROVALS FROM THE LOCAL AUTHORITIES. THE CONTRACTOR SHALL BE RESPONSIBLE FOR OBTAINING ALL NECESSARY PERMITS AND APPROVALS FROM THE LOCAL AUTHORITIES. THE CONTRACTOR SHALL BE RESPONSIBLE FOR OBTAINING ALL NECESSARY PERMITS AND APPROVALS FROM THE LOCAL AUTHORITIES.

REV.	DESCRIPTION	BY	DATE
1	FOR CONSTRUCTION	EB	08/18/18

ATC SITE NUMBER: **92889**
 ATC SITE NAME: **WEST RUTLAND VT**

SITE ADDRESS:
 1109 W. RUTLAND HOLLOW RD
 WEST RUTLAND, VT 05777

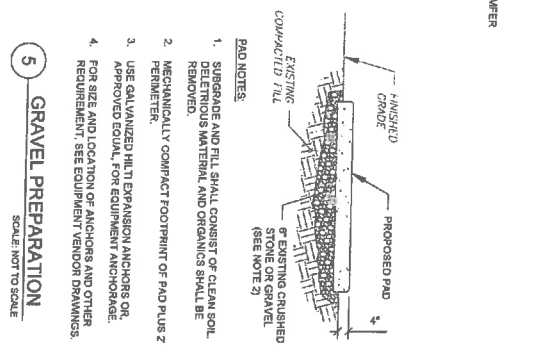
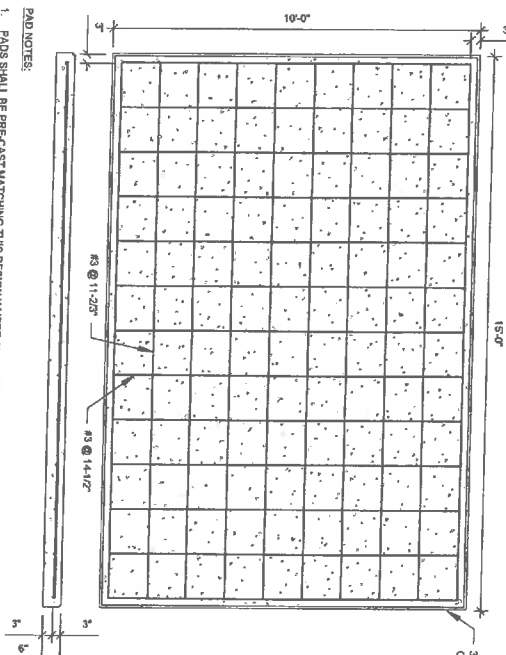
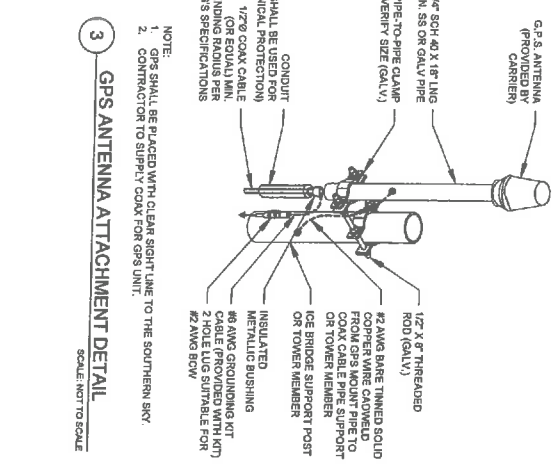
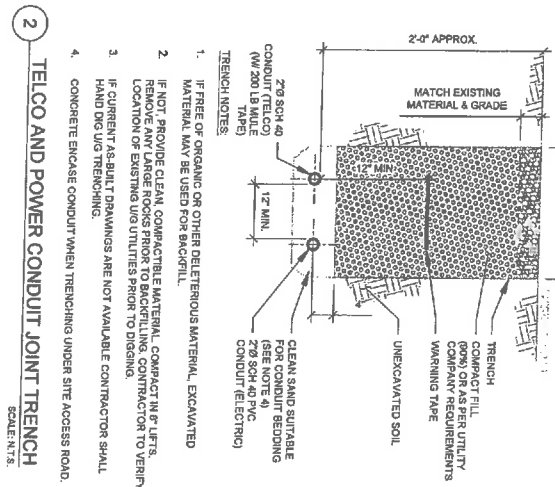
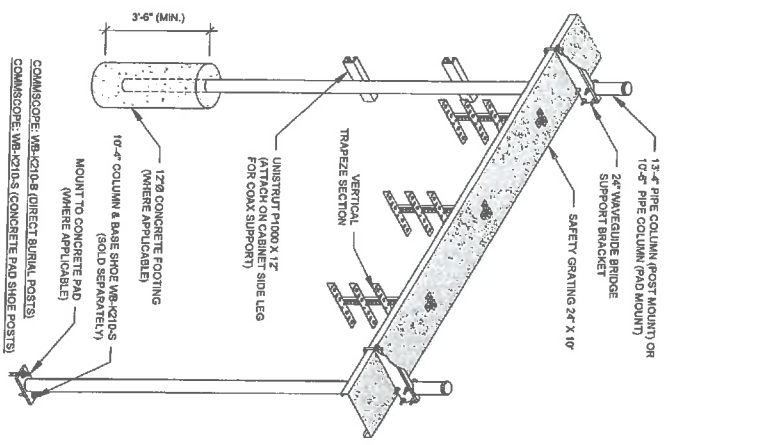


Authorized by "BOR"
 Sep 18 2019 9:29 AM
MobileIron

DRAWN BY: EB
 APPROVED BY: KGF
 DATE DRAWN: 05/18/19
 ATC JOB NO: 12840026

**CONSTRUCTION
 DETAILS**

SHEET NUMBER: **C-502** REVISION: **0**



AMERICAN TOWER®
ATC TOWER SERVICES, LLC
 3800 SUITE 100
 CARY, NC 27513
 PHONE: (919) 499-0112

THESE DRAWINGS AND/OR THE CONSTRUCTION DESCRIPTION AS INSTRUMENTS OF SERVICE ARE THE PROPERTY OF AMERICAN TOWER. NO PART OF THIS PUBLICATION SHALL BE REPRODUCED OR TRANSMITTED IN ANY FORM OR BY ANY MEANS, ELECTRONIC OR MECHANICAL, INCLUDING PHOTOCOPYING, RECORDING, OR BY ANY INFORMATION STORAGE AND RETRIEVAL SYSTEM, WITHOUT THE WRITTEN PERMISSION OF AMERICAN TOWER. THE SPECIFIC CARRIER IS STRICTLY PROHIBITED. THE ETD AMERICAN TOWER WHETHER ON NOT THE PROJECT OR BE PROVIDED ORIGINALLY CONTRIBUTED BY THE PROJECTOR. AMERICAN TOWER SHALL NOT BE RESPONSIBLE FOR ANY DAMAGE TO OR LOSS OF ANY PROPERTY OR LIABILITY OF THE DRAWING IS SUPERSEDED BY THE LATEST VERSION ON THE AMERICAN TOWER.

REV. DESCRIPTION BY DATE

FOR CONSTRUCTION EB 09/19/19

ATC SITE NUMBER: 92889

ATC SITE NAME: WEST RUTLAND VT

SITE ADDRESS: 1100 WINDLE HILL ROAD WEST RUTLAND, VT 05777

DRAWN BY: EB

APPROVED BY: KSF

DATE DRAWN: 09/19/19

ATC JOB NO: 12940208

SHEET NUMBER: C-503

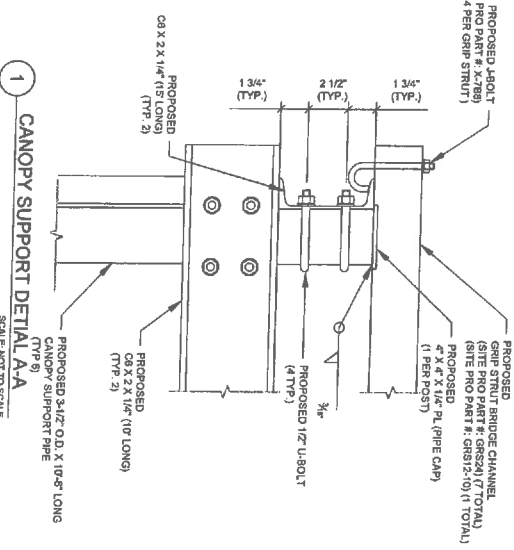
REVISION: 0

Authorized by "BOR"

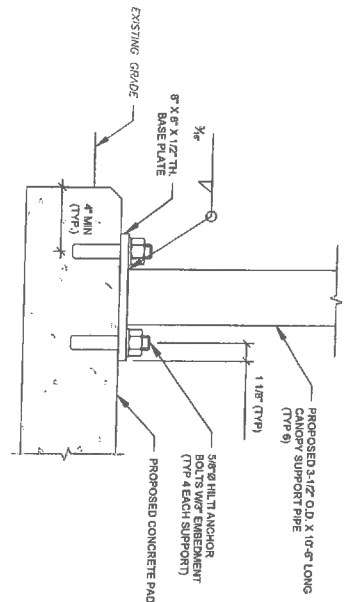
Sep 18 2019 9:29 AM

MobileSign

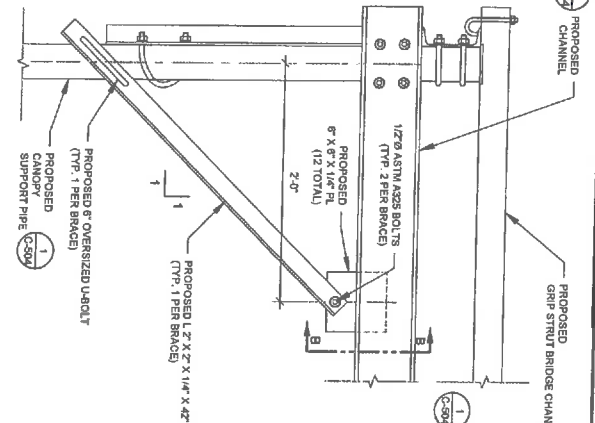
PROPOSED U-BOLT
(SITE PART # 12189)
(32" TOTAL, MIN. 4 PER GRP STRUT)



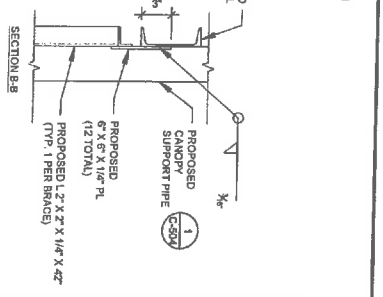
1 CANOPY SUPPORT DETAIL A-A
SCALE: NOT TO SCALE



3 CANOPY SUPPORT ANCHOR DETAIL
SCALE: NOT TO SCALE



2 CANOPY BRACING DETAIL
SCALE: NOT TO SCALE



NOTE: EACH CANOPY POST SHALL HAVE (2) BRACES PER POST



THESE DRAWINGS AND THE ACCOMPANYING SPECIFICATION ARE INSTRUMENTS OF SERVICE AND THE PUBLICATION SHALL BE RETURNED TO THE ARCHITECT OR ENGINEER UPON COMPLETION OF THE PROJECT. NO PART OF THESE DRAWINGS OR SPECIFICATIONS SHALL BE REPRODUCED OR TRANSMITTED IN ANY FORM OR BY ANY MEANS, ELECTRONIC OR MECHANICAL, INCLUDING PHOTOCOPYING, RECORDING, OR BY ANY INFORMATION STORAGE AND RETRIEVAL SYSTEM, WITHOUT THE WRITTEN PERMISSION OF THE ARCHITECT OR ENGINEER. THE ARCHITECT OR ENGINEER SHALL BE RESPONSIBLE FOR THE ACCURACY OF THE INFORMATION PROVIDED IN THESE DRAWINGS AND SPECIFICATIONS. THE ARCHITECT OR ENGINEER SHALL NOT BE RESPONSIBLE FOR THE ACCURACY OF THE INFORMATION PROVIDED IN THESE DRAWINGS AND SPECIFICATIONS BY ANY OTHER PARTY. THE ARCHITECT OR ENGINEER SHALL NOT BE RESPONSIBLE FOR THE ACCURACY OF THE INFORMATION PROVIDED IN THESE DRAWINGS AND SPECIFICATIONS BY ANY OTHER PARTY.

REV.	DESCRIPTION	BY	DATE
1	FOR CONSTRUCTION	EB	09/18/18

ATC SITE NUMBER: 92889
ATC SITE NAME: WEST RUTLAND VT
SITE ADDRESS: 1109 WHIPPLE ROAD/RD WEST RUTLAND, VT 05777



Authorized by "EOR"
Sept 18 2019 9:29 AM
Mobilization

DRAWN BY:	EB
APPROVED BY:	KRF
DATE DRAWN:	09/18/18
ATC JOB NO.:	12946029

SHEET NUMBER:	C-504	REVISION:	0
---------------	-------	-----------	---

AMERICAN TOWER
ATC TOWER SERVICES, LLC
 3000 RIVERSIDE AVENUE
 SUITE 400
 CARY, NC 27513
 PHONE: (919) 488-0112

THE SET DRAWINGS MAKE THE ACCOMPANYING SPECIFICATION AS NOTED NUMBER OR REFERENCE THE THE PROJECT. THE CONTRACTOR SHALL BE RESPONSIBLE FOR OBTAINING ALL NECESSARY PERMITS AND OTHER INFORMATION FROM THE LOCAL, STATE AND FEDERAL AGENCIES. ANY USE OF SPECIALTY MATERIALS OR METHODS NOT SPECIFICALLY IDENTIFIED IN THE SPECIFICATIONS SHALL BE APPROVED BY THE ARCHITECT PRIOR TO CONSTRUCTION. THE ARCHITECT SHALL BE RESPONSIBLE FOR OBTAINING ALL NECESSARY PERMITS AND OTHER INFORMATION FROM THE LOCAL, STATE AND FEDERAL AGENCIES. ANY USE OF SPECIALTY MATERIALS OR METHODS NOT SPECIFICALLY IDENTIFIED IN THE SPECIFICATIONS SHALL BE APPROVED BY THE ARCHITECT PRIOR TO CONSTRUCTION. THE ARCHITECT SHALL BE RESPONSIBLE FOR OBTAINING ALL NECESSARY PERMITS AND OTHER INFORMATION FROM THE LOCAL, STATE AND FEDERAL AGENCIES. ANY USE OF SPECIALTY MATERIALS OR METHODS NOT SPECIFICALLY IDENTIFIED IN THE SPECIFICATIONS SHALL BE APPROVED BY THE ARCHITECT PRIOR TO CONSTRUCTION.

REV	DESCRIPTION	BY	DATE
1	FOR CONSTRUCTION	EB	09/18/19

ATC SITE NUMBER
92889
 ATC SITE NAME
WEST RUTLAND VT

SITE ADDRESS:
 1108 WINDMILL HOLLOW RD
 WEST RUTLAND, VT 05777



Authorized by "BOR"
 Sep 18 2019 9:30 AM
MobileIron

DRAWN BY: EB
 APPROVED BY: KRF
 DATE DRAWN: 09/18/19
 ATC JOB NO: 12949008

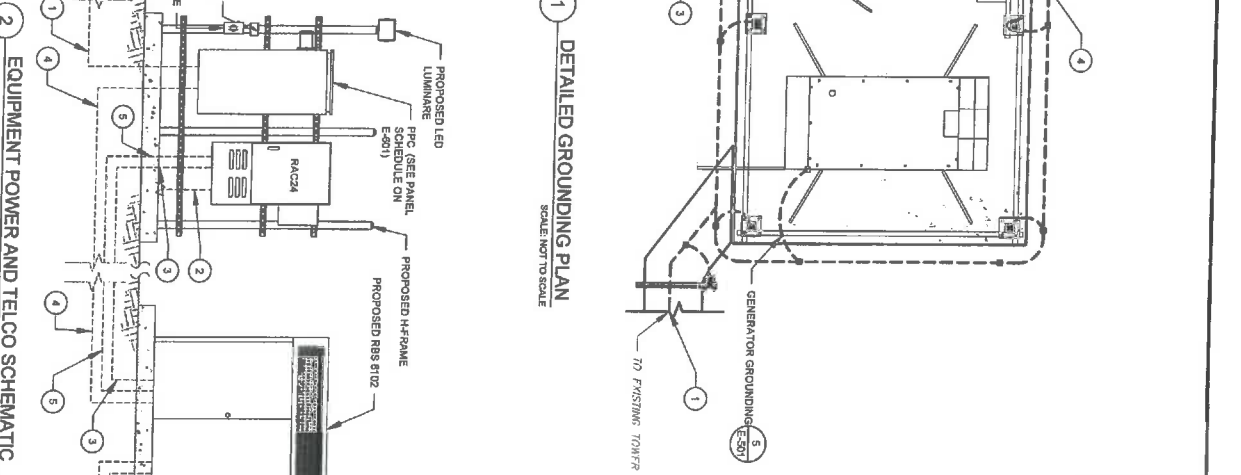
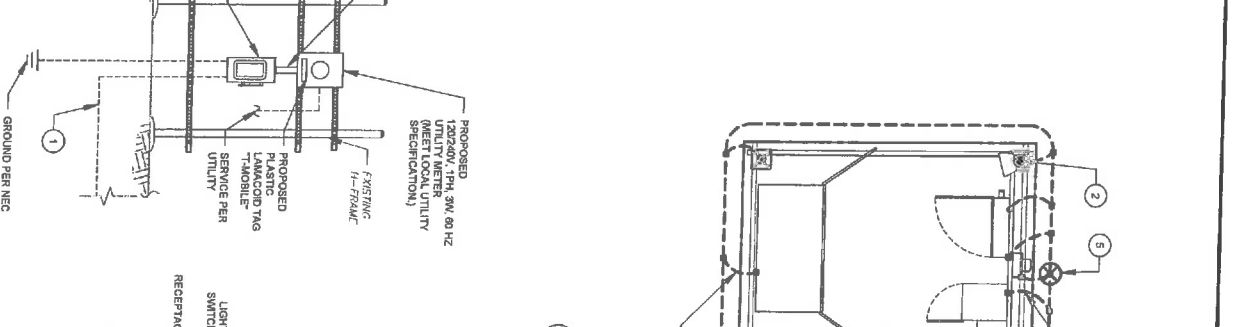
**EQUIPMENT
 DETAILS**

SHEET NUMBER: **C-505** REVISION: **0**

PROJECT INFORMATION & DIMENSIONS			
DIMENSION	EXISTING	PROPOSED	CHANGE
SURFACE AREA OF THE FACES OF EQUIPMENT ON SUPPORT STRUCTURE	NO EXISTING EQUIPMENT ON TOWER	ADD: ANTENNAS: (6) 25.0" X 24" = 63.00 SQ. FT. RRU: (1) 14.0" X 13.2" = 6.48 SQ. FT. NOT VISIBLE BEHIND MOUNT MICROWAVE DISH: (1) 4.14" X 4.14" = 17.14 SQ. FT. ODU: (1) 10.0" X 10.0" = .75 SQ. FT. NOT VISIBLE FROM BEHIND MICROWAVE DISH TOTAL VISIBLE AREA: 331.2 SQ. FT.	ANTENNAS: 1598 SQ. FT. RRU: 4548 SQ. FT. (NOT VISIBLE) MICROWAVE DISH: 1714 SQ. FT. ODU: .75 SQ. FT. (NOT VISIBLE) TOTAL VISIBLE AREA: 331.2 SQ. FT.
MAXIMUM VERTICAL EXTENSION FROM SUPPORT STRUCTURE	N/A	0	0
MAXIMUM HORIZONTAL EXTENSION FROM SUPPORT STRUCTURE	N/A	6'2"	6'2"
IMPERVIOUS SURFACE AREA BEING ADDED TO SITE	N/A	0	0

1 EQUIPMENT DETAILS

1. ALL EQUIPMENT ENCLOSURES, DEVICES AND CONDUITS SHALL BE GROUNDED TO CONFORM WITH THE LATEST REQUIREMENTS OF THE INSTALLATION OF A SEPARATE, GREEN, INSULATED GROUND CONDUCTOR FOR ALL FEEDER AND BRANCH CIRCUITS. GROUNDING CONDUCTORS SHALL BE OF THE SIZE INDICATED ON THE DRAWINGS. GROUNDING CONDUCTORS SHALL BE CONTINUOUS IN LENGTH AND SHALL BE BONDED TO EACH END OF THE CONDUIT THROUGH CONDUIT SHALL NOT BE USED AS A GROUNDING CONDUCTOR.
2. GROUNDING CONDUCTORS SHALL:
- BE #2 AWG SOLID BARE TINNED COPPER (S87C) FOR ALL GROUNDING SYSTEMS UNLESS OTHERWISE NOTED, OR OTHERWISE BE MINIMUM 1/2" BEND RADII. KEEP NUMBER OF BENDS TO A MINIMUM.
 - AVOID LONG BONDING CONNECTION RUNS. MAKE DIRECT AS POSSIBLE.
 - NOT HAVE ANY UNSHAPED RUNS.
 - BE PLACED IN NON-METALLIC CONDUIT ONLY, IF IN CONDUIT.
 - BE PLACED THROUGH NON-METALLIC SLEEVES IN FLOORS, WALLS, CEILING, ETC.
 - PROTECTED IN NON-METALLIC CONDUIT WHERE EXPOSED ABOVE GRADE.
3. INSTALL ALL GROUNDING RINGS AND RADIALS WITH CONDUCTIVE GEMENT, SA. UNLESS OTHERWISE NOTED, OR AS SPECIFICALLY INDICATED. INSTALL PER MANUFACTURER'S SPECIFICATIONS.
4. GROUND RINGS SHALL BE:
- MINIMUM 30" BELOW GRADE, OR BELOW FROST LINE WHICHEVER IS DEEPER.
 - 2" RIGID FOUNDATIONS, FOOTINGS, OTHER GROUNDING SYSTEMS AND ALL CONCRETE OBJECTS.
 - WITH MINIMUM 1/2" BEND RADIUS.
 - WITH ALL CONNECTIONS IN CONTACT WITH EARTH, BONDED BY EXOTHERMIC WELDING.
 - BONDED TO A SINGLE POINT GROUND (SPG) WITH A SINGLE WIRE AS INDICATED ON DRAWINGS.
5. GROUNDING SYSTEM SHALL BE:
- MINIMUM 5/8" DIAMETER.
 - MINIMUM 10' LONG.
 - COPPER-CLAD GALVANIZED STEEL OR STAINLESS STEEL.
 - PLACED IN UNDISTURBED SOIL AND BELOW THE FROST LINE.
 - DEPTH OF WHICH MINIMUM SEPARATION DISTANCE OF TWICE THE DIAMETER OF THE ROD AS INDICATED ON DRAWINGS.
 - WHICHEVER IS LARGER, MINIMUM FOUR (4) RODS OR ONE (1) PER LEG INDICATED, MINIMUM ONE (1) ROD FOR POWER SERVICE GROUNDING ELECTRODE, AND MINIMUM ONE (1) ROD AT END OF EACH RADIAL.
6. CONDUCTIVE OBJECTS, SUCH AS FENCES, SHALL BE BONDED TO THE GROUNDING SYSTEM THE POWER COMPONENT.



AMERICAN TOWER
ATC TOWER SERVICES, LLC
3150 REGENCY GARDEN
SUITE 100
CARY, NC 27518
PHONE: (919) 484-0112

THIS DRAWING AND/OR THE ACCOMPANYING SPECIFICATION AS PART OF THE CONTRACT SHALL BE THE PROPERTY OF AMERICAN TOWER. IT IS TO BE USED ONLY FOR THE PROJECT AND OTHER THAN THAT WHICH IS SPECIFICALLY NOTED. ANY REUSE OR MODIFICATION OF THIS DRAWING WITHOUT THE WRITTEN PERMISSION OF AMERICAN TOWER IS STRICTLY PROHIBITED. THE USER SHALL BE RESPONSIBLE FOR OBTAINING ALL NECESSARY PERMITS AND APPROVALS FROM ALL APPLICABLE AGENCIES AND AUTHORITIES. THE USER SHALL BE RESPONSIBLE FOR OBTAINING ALL NECESSARY PERMITS AND APPROVALS FROM ALL APPLICABLE AGENCIES AND AUTHORITIES. THE USER SHALL BE RESPONSIBLE FOR OBTAINING ALL NECESSARY PERMITS AND APPROVALS FROM ALL APPLICABLE AGENCIES AND AUTHORITIES.

REV. DESCRIPTION BY DATE
FOR CONSTRUCTION EB_05/18/19

ATC SITE NUMBER: 92889
ATC SITE NAME: WEST RUTLAND VT

SITE ADDRESS:
1109 WHIPPLE HOLLOW RD
WEST RUTLAND, VT 05777

Authorized by "BOR"
Sept 18 2019 9:30 AM
Mobilize

STATE OF VERMONT
PATRICK P. BARRY
NO. 92739K
REGISTERED PROFESSIONAL CIVIL ENGINEER

DRAWN BY: EB
APPROVED BY: KRF
DATE DRAWN: 05/18/19
ATC JOB NO.: 1294028

GROUNDING PLAN AND SCHEMATIC

SHEET NUMBER: E-101 REVISION: 0

PANEL DESIGNATION: **PPC** TYPE: **LIGHTING & APPLIANCE** SYSTEM: **120/240V, 1Ø, 3W, 2Ø CKT** LOCATION: **T-MOBILE LEASE AREA**

MOUNTING: **ENCLOSURE** SURFACE NEMA 3R MAIN BREAKER (MB): **200A MCB** MAIN BUS RATINGS: **200A** PANEL NOTES: **INTEGRATED COMMUNICATION POWER PANEL (PPC)**

MANUFACTURER: **22KALC** MAIN A.I.C. RATINGS: **22KALC**

CONNECTED LOAD (W/A)	BRIEF DESCRIPTION	FEEDER OR BRANCH CIRCUIT			POLE NO.	CIRCUIT	FEEDER OR BRANCH CIRCUIT			BRIEF DESCRIPTION	CONNECTED LOAD (W/A)		
		AMPS	POLES	WIRE			COND.	NO.	COND.		WIRE	POLES	AMPS
14.40	6102 CABINET	150	2	3-#10	1-#6	2	3/4"	1-#12	2-#12	1	20	0.19	0.16
0.01						3	3/4"	1-#12	2-#12	1	20	0.00	0.00
0.00						4						0.00	0.00
0.00						5						0.00	0.00
0.00						6						0.00	0.00
0.00						7						0.00	0.00
0.00						8						0.00	0.00
0.00						9						0.00	0.00
0.00						10						0.00	0.00
0.00						11						0.00	0.00
0.00						12						0.00	0.00
0.00						13						0.00	0.00
0.00						14						0.00	0.00
0.00						15						0.00	0.00
0.00						16						0.00	0.00
0.00						17						0.00	0.00
0.00						18						0.00	0.00
0.00						19						0.00	0.00
14.4						20						0.2	0.2
TOTAL												152 AMPS	

1 PANEL SCHEDULE
SCALE: NOT TO SCALE

CONNECTED LOAD (W/A) **14.6** DERATING FACTOR (80%) **11.68**

DEMAND LOAD (W/A) **14.6** DEMAND LOAD SIZING: **152 AMPS**



AMERICAN TOWER®
ATC TOWER SERVICES, LLC
3500 RIVERCHASE PARKWAY
SUITE 100
CARY, NC 27518
PHONE: (919) 488-0112

THESE DRAWINGS AND/OR THE INFORMATION CONTAINED HEREIN ARE THE PROPERTY OF AMERICAN TOWER AND ARE NOT TO BE REPRODUCED, COPIED, OR TRANSMITTED IN ANY FORM OR BY ANY MEANS, ELECTRONIC OR MECHANICAL, INCLUDING PHOTOCOPYING, RECORDING, OR BY ANY INFORMATION STORAGE AND RETRIEVAL SYSTEM, WITHOUT THE WRITTEN PERMISSION OF AMERICAN TOWER. ANY UNAUTHORIZED USE OF THESE DRAWINGS OR INFORMATION SHALL BE CONSIDERED A VIOLATION OF THE COPYRIGHT AND TRADE SECRET LAWS OF THE UNITED STATES AND MAY BE SUBJECT TO CIVIL AND CRIMINAL PENALTIES. THE USER OF THESE DRAWINGS OR INFORMATION SHALL BE RESPONSIBLE FOR OBTAINING ALL NECESSARY PERMITS AND APPROVALS FROM THE APPROPRIATE AGENCIES AND AUTHORITIES. THE USER SHALL BE RESPONSIBLE FOR OBTAINING ALL NECESSARY PERMITS AND APPROVALS FROM THE APPROPRIATE AGENCIES AND AUTHORITIES. THE USER SHALL BE RESPONSIBLE FOR OBTAINING ALL NECESSARY PERMITS AND APPROVALS FROM THE APPROPRIATE AGENCIES AND AUTHORITIES.

REV.	DESCRIPTION	BY	DATE
△	FOR CONSTRUCTION	EB	09/19/18
△			
△			
△			

ATC SITE NUMBER: **92889**

ATC SITE NAME: **WEST RUTLAND VT**

SITE ADDRESS:
1100 WHIPPLE HOLLOW RD
WEST RUTLAND, VT 05777



Professional Engineer
Patrick P. Barry
No. 65739K
Civil
State of Vermont

Authorized by "FOR"
Sep 18 2018 9:30 AM
Mobilize

DRAWN BY: **EB**

APPROVED BY: **KRF**

DATE DRAWN: **05/19/18**

ATC JOB NO.: **1290729**

PANEL SCHEDULE

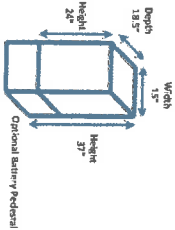
SHEET NUMBER: **E-601** REVISION: **0**

RAC24

RAC® Series

Technical Specifications

Exterior Dimensions



Power Distribution

- AC power distribution
- DC power distribution

Battery Pedestal Option

- Open air environment; will support 62Ahr batteries
- Compatible with pad, pole, or wall mount

Thermal Management Options

- Blank Plate
- Louvered Inlets with removable filters
- Direct Air Cooling: +24VDC, -48VDC, or 120VAC with GORE Filter for environmental protection
- Thermoelectric Cooling: +24VDC or -48VDC, side mount
- Air Conditioner: 2,000 BTU/hr with integrated heater, side mount

Additional Options

- AC receptacle: Two outlet, 15A, standard
- Grounding: 8 position ground bar (a second 8 position ground bar with AC power distribution)
- Alarm block: 6 position or 12 position

Weight

- 35 lbs cabinet only
- 50 lbs cabinet with direct air cooling option
- 67 lbs with thermoelectric cooling option
- 85 lbs with 2K air conditioner option

Agency Information

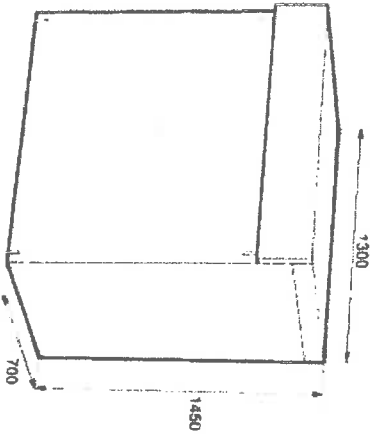
- UL-508A; NEMA 3R

Warranty

- 5 years enclosure/1 year thermal system

Table 1 Dimensions, Weight, and Color

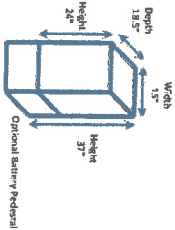
Dimensions	
Height	1450 mm
Width	1300 mm
Depth	700 mm
Weight	360 kg
RBS (standard equipped) without backup batteries	
Color	Reference number: RAL 7035, glossy
Gray	



1 CABINET CONFIGURATION
SCALE: NOT TO SCALE

Technical Specifications

Exterior Dimensions



Power Distribution

- AC power distribution
- DC power distribution

Battery Pedestal Option

- Open air environment; will support 62Ahr batteries
- Compatible with pad, pole, or wall mount

Thermal Management Options

- Blank Plate
- Louvered Inlets with removable filters
- Direct Air Cooling: +24VDC, -48VDC, or 120VAC with GORE Filter for environmental protection
- Thermoelectric Cooling: +24VDC or -48VDC, side mount
- Air Conditioner: 2,000 BTU/hr with integrated heater, side mount

Additional Options

- AC receptacle: Two outlet, 15A, standard
- Grounding: 8 position ground bar (a second 8 position ground bar with AC power distribution)
- Alarm block: 6 position or 12 position

Weight

- 35 lbs cabinet only
- 50 lbs cabinet with direct air cooling option
- 67 lbs with thermoelectric cooling option
- 85 lbs with 2K air conditioner option

Agency Information

- UL-508A; NEMA 3R

Warranty

- 5 years enclosure/1 year thermal system

Purcell Systems, Inc.
16325 East Efield Avenue, Spokane Washington 99216
Phone: 509.755.0341 www.purcellsystems.com
Fax: 509.755.0342
©2012 Purcell Systems, Inc. All Rights Reserved. Printed in the USA. For a complete list of products, visit our website at www.purcell.com



2 CABINET CONFIGURATION
SCALE: NOT TO SCALE

NOTE: THIS SHEET CREATED BY OTHERS AND PROVIDED BY REQUEST OF CUSTOMER WITHOUT EDIT.

SUPPLEMENTAL

SHEET NUMBER: R-601

REVISION: 0

